

## Preferred Visual Acuity Notations

**DISTANT VISION.** Use Snellen notation with test distance of 20 feet. (Examples: 20/100, 20/60). For acuities less than 20/200 record distance at which 200 foot letter can be recognized as numerator of fraction and 200 as denominator. (Examples: 10/200, 3/200). If the 200 foot letter is not recognized at 1 foot record abbreviation for best distant vision as follows:

- HM HAND MOVEMENTS (Specify inches or feet)
- PLL PERCEIVES AND LOCALIZES LIGHT IN ONE OR MORE QUADRANTS
- LP PERCEIVES BUT DOES NOT LOCALIZE LIGHT
- No LP NO LIGHT PERCEPTION

**NEAR VISION.** Use standard A.M.A. notation and specify best distance at which pupil can read. (Example: 14/70 at 5 in.)

TABLE OF APPROXIMATE EQUIVALENT VISUAL ACUITY NOTATIONS

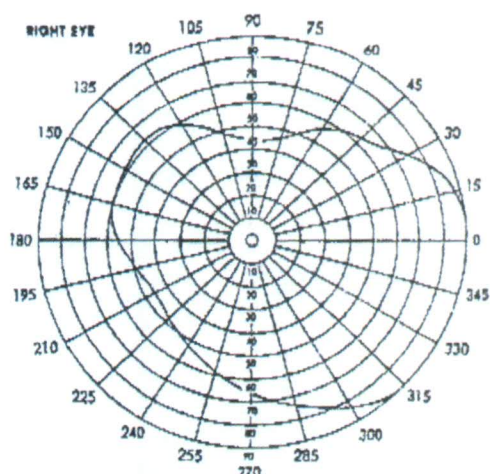
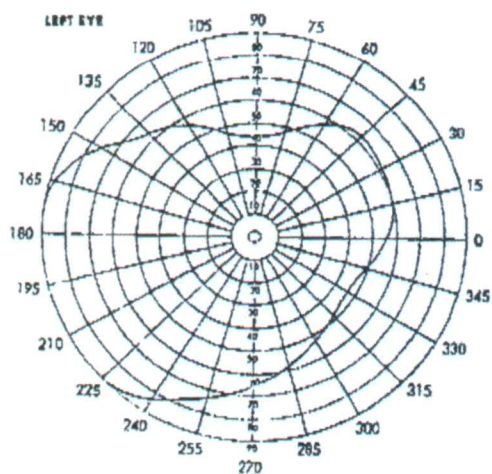
These notations serve only as an indication of the approximate relationship between recordings of distant and near vision and point type sizes. The teacher will find in practice that the pupil's reading performance may vary considerably from the equivalents shown.

Distant Snellen	Near			% Central Visual Efficiency for Near	Point	Usual Type Text Size
	A.M.A.	Jaeger	Metric			
20/20 (ft.)	14/14 (in.)	1	0.37 (M.)	100	3	Mail order catalogue
20/30	14/21	2	0.50	95	5	Want ads
20/40	14/28	4	0.75	90	6	Telephone directory
20/50	14/35	6	0.87	50	8	Newspaper text
20/60	14/42	8	1.00	40	9	Adult text books
20/80	14/56	10	1.50	20	12	Children's books 9-12 yrs
20/100	14/70	11	1.75	15	14	Children's books 8-9 yrs.
20/120	14/84	12	2.00	10	18	Large type text
20/200	14/140	17	3.50	2	24	
12.5/200	14/224	19	6.00	1.5		
8/200	14/336	20	8.00	1		
5/200	14/560					
3/200	14/900					

**FIELD OF VISION.** Record results on chart below.

Type of test used: \_\_\_\_\_

Illumination in ft. candles: \_\_\_\_\_



Test object: Color(s) \_\_\_\_\_ Size(s) \_\_\_\_\_

Test object: Color(s) \_\_\_\_\_ Size(s) \_\_\_\_\_

Distance(s): \_\_\_\_\_

Distance(s): \_\_\_\_\_

Used with permission from the Northern California Society to Prevent Blindness, 4200 California St., Suite 101, San Francisco, CA 94118.